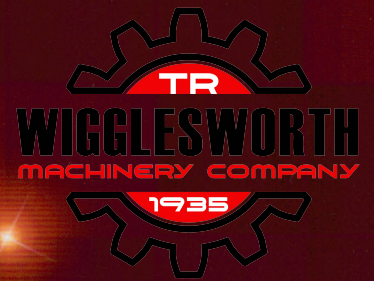


**ACER**  
ACER GROUP



# E-mill™ Series

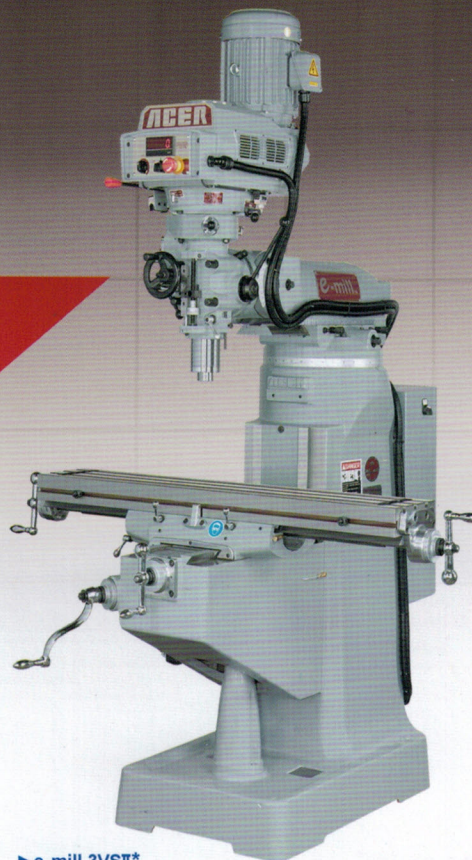
## A Trouble-Free Vertical Turret Mill!

*Technology • Creativity • Reliability*  
*An Unswerving Commitment to Excellence*

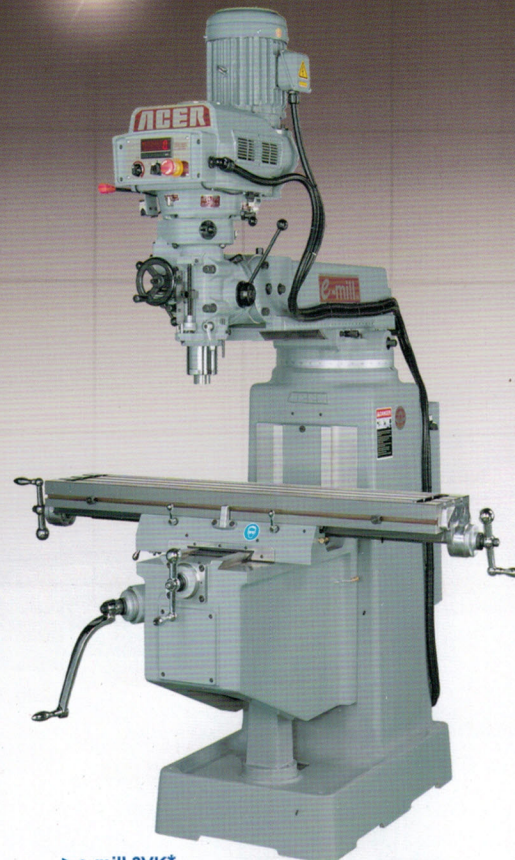




# E-mill™ Series A Trouble



► e-mill 3VSI\*



► e-mill 3VK\*

## Option: 10 Great Reasons to Upgrade to UL Conformity Electric Cabinet

- ❶ Electric Cabinet is made to meet NFPA 79: 2012 and UL 508A: 2010 standards.
- ❷ Main Electric Components are UL labeled.
- ❸ Electric Cabinet is equipped with Emergency Door Switch and Keyed Lock!!
- ❹ Spindle Speed is easy to read on Digital RPM Meter.
- ❺ Spindle will not turn on automatically when the power is restored after power failure.
- ❻ The Electric Cabinet is equipped with Non-Fuse Breaker to provide more protection on the electric components.
- ❼ UL Approved Spindle Inverter Motor.
- ❽ Toshiba Vector-Type Frequency Inverter.
- ❾ To accommodate & achieve better ventilation & noise reduction, the electric cabinet is enlarged and is equipped with UL approved Cooling Fan & Filter.
- ❿ Built-In Coolant ON-OFF Switch and dish-in coolant base for add-on Coolant System.

※ Standard 230V single/three phase at 60HZ; Add \$400 Net for 460V on all models; Add \$500 Net for UL conformity.

\* Upgrade to UL conformity electric cabinet is optional!! Photos shown UL conformity e-mill models.



UL Conformed Control Panel

	3VSI	3VK
<b>A</b>	88	89
<b>B</b>	63	69
<b>C</b>	95	94
<b>D</b>	0.6~17.3	0.8~16.9
<b>E</b>	0~13	0~20.9
<b>F</b>	5.1~20.3	5.9~27.6
<b>G</b>	7.8~22.8	7.9~29.9

Unit: Inch.

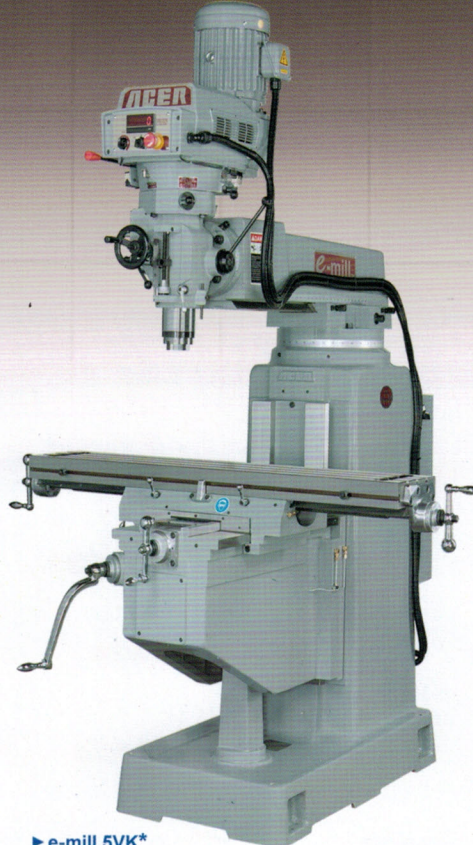
Not



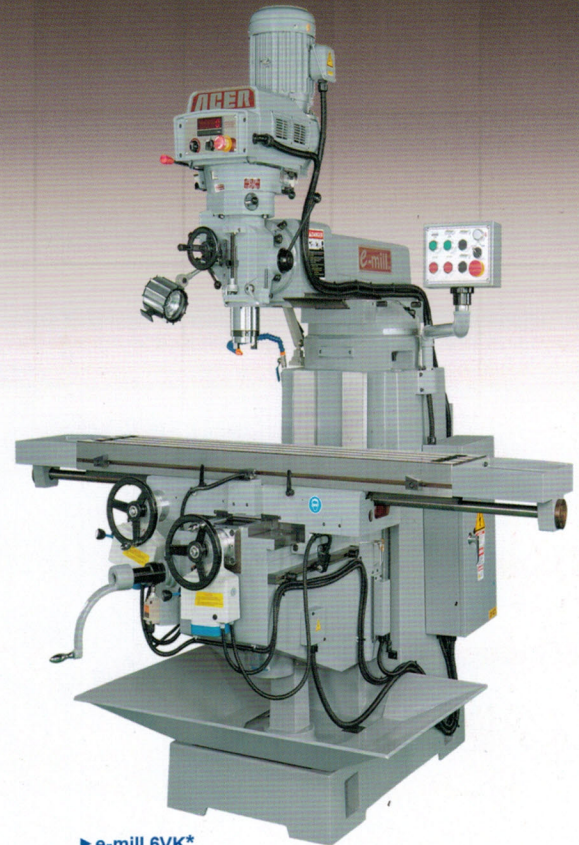
# Free Vertical Turret Mill!



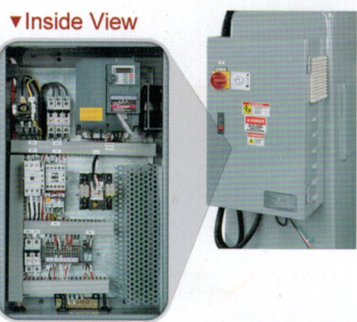
▶ e-mill 3VKH\*



▶ e-mill 5VK\*



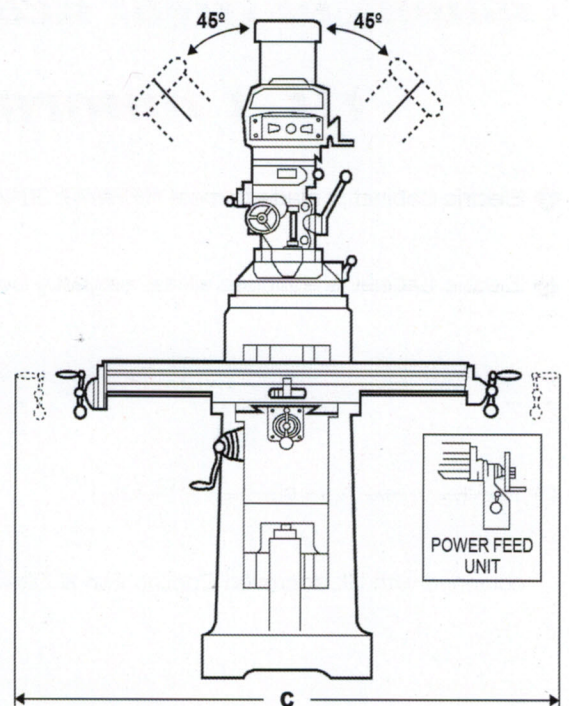
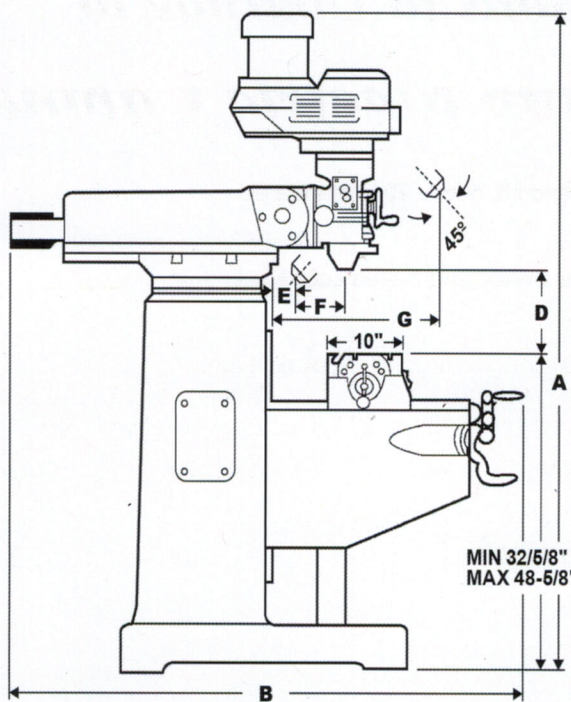
▶ e-mill 6VK\*



UL Conformed Electric Cabinet

3VKH	5VK	6VK
93	95	94
84	87	88
101	101	106
4~21.1	3~21.7	3.5~19.3
~18.5		
5~25.2	2~27.95	0~27.2
5~27.6		

measurements are approximate.





# SPECIFICATIONS

MODEL		e-mill 3VS	e-mill 3VSI	e-mill 3VK	e-mill 3VKH		e-mill 5VK		e-mill 6VK	
Table	Working Surface	9"×42"	9"×49"	10"×50"	10"×50"	10"×54"	10"×50"	10"×54"	11 4/5"×59"	
		229×1067mm	229×1245mm	254×1270mm	254×1270mm	254×1372mm	254×1270mm	254×1372mm	300×1500mm	
	Longitudinal Travel Manual (From Saddle Edge to Edge)	24" (610mm)	28" (711mm)	28" (711mm)	27" (686mm)	31" (787mm)	27" (686mm)	31" (787mm)	47.25" (1200mm)	
	Cross Travel Manual	12" (305mm)		16" (406.4mm)	16" (406.4mm)			15" (381mm)		
	Vertical Knee Travel	16" (406.4mm)		16" (406.4mm)	19" (482.6mm)			19.75" (501.7mm)		
	Ram Travel	12" (305mm)		20" (508mm)	20" (508mm)			18.89" (480mm)		
	T Solt Number, Size	3, 5/8" (16mm)								
Table Load	750 lbs (341 kgs)			850 lbs (386 kgs)					1,100 lbs (500 kgs)	
Travel	X Axis Max.	28" (711mm)	34" (864mm)	34" (864mm)	32.5" (825mm)	36.5" (927mm)	32.5" (825mm)	36.5" (927mm)	47.25" (1200mm)	
	Y Axis Max.	12.6" (320mm)		16" (406.4mm)	17.3" (440mm)			15" (381mm)		
	Z Axis Max./Rapid Max.	16" (406.4mm)			19" (483mm)			19.75" (501.7mm)/10ipm		
	Max. Spindle Nose to Table	0.6"~17.3" (14~440mm)		0.8"~16.9" (20~425mm)	2.4"~21.1" (60~535mm)		3"~21.7" (75~550mm)		3.5"~19.3" (90~488mm)	
	Spindle Center to Column Face	5.1"~20.3" (130~515mm)		5.9"~27.6" (150~700mm)	3.5"~25.2" (90~640mm)		2"~28" (50~710mm)		0"~27.2" (0~690mm)	
Head	Main Motor	3 HP					5 HP			
	Head Moves Right to Left	±90°								
	Head Tilts Front to Back	±45°					—			
Spindle	Spindle Drive	Infinite Variable at 2 Speed Range								
	Spindle Speed	60~4,500								
	Spindle Taper	R-8 (NST#30 Opt.)					NST #40, CAT#40 Opt.			
Quill	Power Quill Feeds In(mm)/rev.	0.0015", 0.003", 0.006" (0.038, 0.076, 0.152mm)								
	Quill Diameter (Chromed)	3-3/8" (86mm)					4" (100mm)			
	Quill Travel (Manual)	5" (127mm)								
Motor	X Axis Motor	Optional Powerfeed							500 in-lbs	
	Y Axis Motor	Optional Powerfeed							500 in-lbs	
	Z Axis Motor	Optional Powerfeed							2 HP	
	Coolant Pump HP	Optional							1/8 HP	
	Lubrication Pump Watts	One Shot Lube; Optional Auto Lubrication System							80	
Weight	Net Approx. Lbs (kgs)	2,330 (1,060)	2,380 (1,080)	3,300 (1,500)	3,550 (1,614)	3,700 (1,682)	3,750 (1,705)	3,900 (1,773)	4960 (2,255)	
Floor Space Req.	X × Y × Z inches (metric)	95"×63"×88"		94"×69"×90"	101"×84"×93"		101"×87"×95"		104"×87"×94"	
	(For 49", or 54" when applicable.)	239.5×158×224cm		238×175×229cm	256×212×236cm		256×220×241cm		265×221.5×238cm	
Packing Dimension Approx.	X × Y × Z inches (metric)	67"×63"×71"		67"×67"×71"	70"×70"×75"			89"×80"×81"		
	Head Tilt	170×160×180cm		170×170×180cm	178×178×190cm			226×203×260cm		
<b>Maximum Working Capacity in Mild Steel</b>										
Drilling Max. Capacity		7/8" (22mm) Dia.					1 1/4" (32mm) Dia.			
Milling Max. Capacity		2.0 inch <sup>3</sup> /min					5 inch <sup>3</sup> /min			
Boring Capacity		6" (152.4mm) Dia.					8" (200mm) Dia.			
Tapping Max. Capacity		1/2" (12mm)					1" (25mm)			

Note: The manufacturer reserves the right to modify the design, specification, mechanisms, etc., to improve the performance of the machine without prior notice. All specifications shown above are for reference only!

[www.acerlinks.com](http://www.acerlinks.com) / [www.aceronline.net](http://www.aceronline.net) (U.S. Only)

## SPRINGWOOD INDUSTRIAL, INC.

2320 E. Valencia Drive  
Fullerton, CA 92831  
Tel: (714) 871-5558  
Fax: (714) 871-5554  
E-mail: [info@aceronline.net](mailto:info@aceronline.net)

## KLIM INDUSTRIAL, INC.

244 N. Randolphville Rd.  
Piscataway, NJ 08854  
Tel: (732) 752-9100  
Fax: (732) 752-9101  
E-mail: [acer\\_klim@yahoo.com](mailto:acer_klim@yahoo.com)

## YA-GIN MACHINE TOOL MANUFACTURING, INC.

No. 101, 506 Lane, Seng-Tso Rd.  
Seng Karng District, Taichung City, Taiwan  
Tel: 886-4-2520-4120  
Fax: 886-4-2520-4123  
E-mail: [sales@acerlinks.com](mailto:sales@acerlinks.com)